

Integrating for a smart solution

wBEC44 range

Conlog's new wBEC44 integrated wireless meter range provides the building block for a revolutionary new smart solution. The compact DIN rail meter is packed with features to enhance customer satisfaction, whilst providing the valuable data needed by utilities worldwide. Added to this is the ability for the meter to operate as a prepayment or post-payment meter, depending on the utility's requirements. The greatest benefit and cost saving is that through the use of integrated radio frequency (RF), the meters are not subject to line interference and don't require the costly addition of filters, Making this a simple, quick and cost effective solution for today and tomorrow.



Features

- > Operates as prepayment or post-payment meter
- > Configurable credit management options
- > Thermal shutdown protection
- > Reverse energy management
- > Delayed reconnection



We see a world where we can all achieve more while using less



We help utilities maximise their service delivery



Our products, solutions and services are simple, efficient and innovative

Product specifications

Voltage ratings

Nominal voltage (-20% +15%)	110VAC - 127VAC	220VAC - 240VAC
Supply frequency (±5%)	60Hz	50Hz

Current ratings

Base current (I _b)	5A
Max current (I _{max})	100A
Min starting current	
Class 1	20mA
Class 2	25mA
Utilisation category	UC2

Nominal power consumption

1.2W / 9VA

Accuracy

Class 1 and Class 2 (maintained throughout life cycle of the product)

Over voltage rating

440VAC for 48 hours

Short circuit rating

Short-circuit withstand 3.0kA

Protection

Power overload	Thermal overload
Current overload	Line / load reversal
Over / under voltage	
Delayed reconnection	

Environmental

Operating temperature	-10°C to +55°C
Storage temperature	-25°C to +70°C
Humidity	95% non-condensing
IP rating	IP 54 (Meter and user interface unit)
RF immunity	30V/m

Status indicators

Load / power status
MCU / UIU communication
Rate LED (1000 pulses / kWh) (On MCU)

Installation

Footprint	DIN rail mounted (35mm)
Insulation class	Double insulation

Terminals

Type	Live	Neutral
Maximum size	Cage clamp 25mm ²	Cage clamp 16mm ²

Interrogation

Type	MC171 direct probe USB type port (optional) Radio frequency
------	---

Security

Meter housing	Security seals
Tamper protection	Tamper terminal cover Load disconnection on tamper detection

Standards

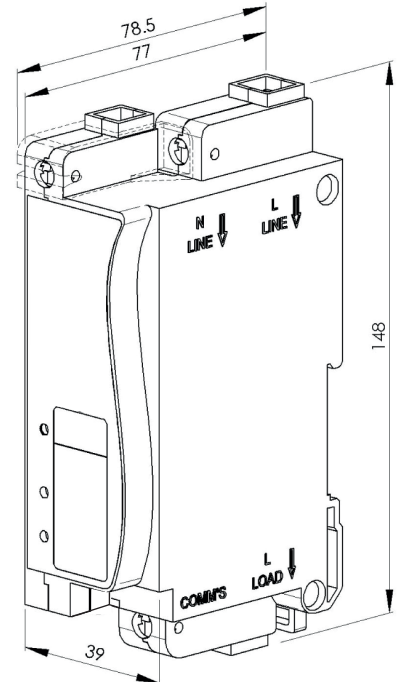
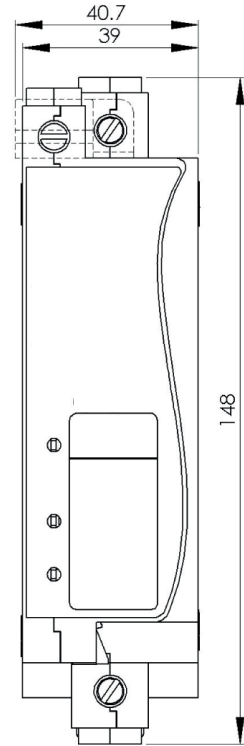
IEC 62052-11	IEC 62055-51	DSP 34-749
IEC 62053-21	IEC 62055-52	DSP 34-1527
IEC 62055-21	SANS 1524-1	DSP 34-1635
IEC 62055-31	SANS 15417	ISO 14001:2004
IEC 62055-41	ISO 18001:2007	ISO 9001:2008

Packaging

Units per carton	10
Carton weight (incl box)	3.12kg

For further packaging information, kindly contact Conlog

* Subject to ambient conditions



Conlog

P O Box 2332, Durban, 4000, South Africa
Tel +27 (31) 268-1111 Fax +27 (31) 268-1500
www.conlog.co.za
info@conlog.co.za